

FOR OFFICIAL USE ONLY

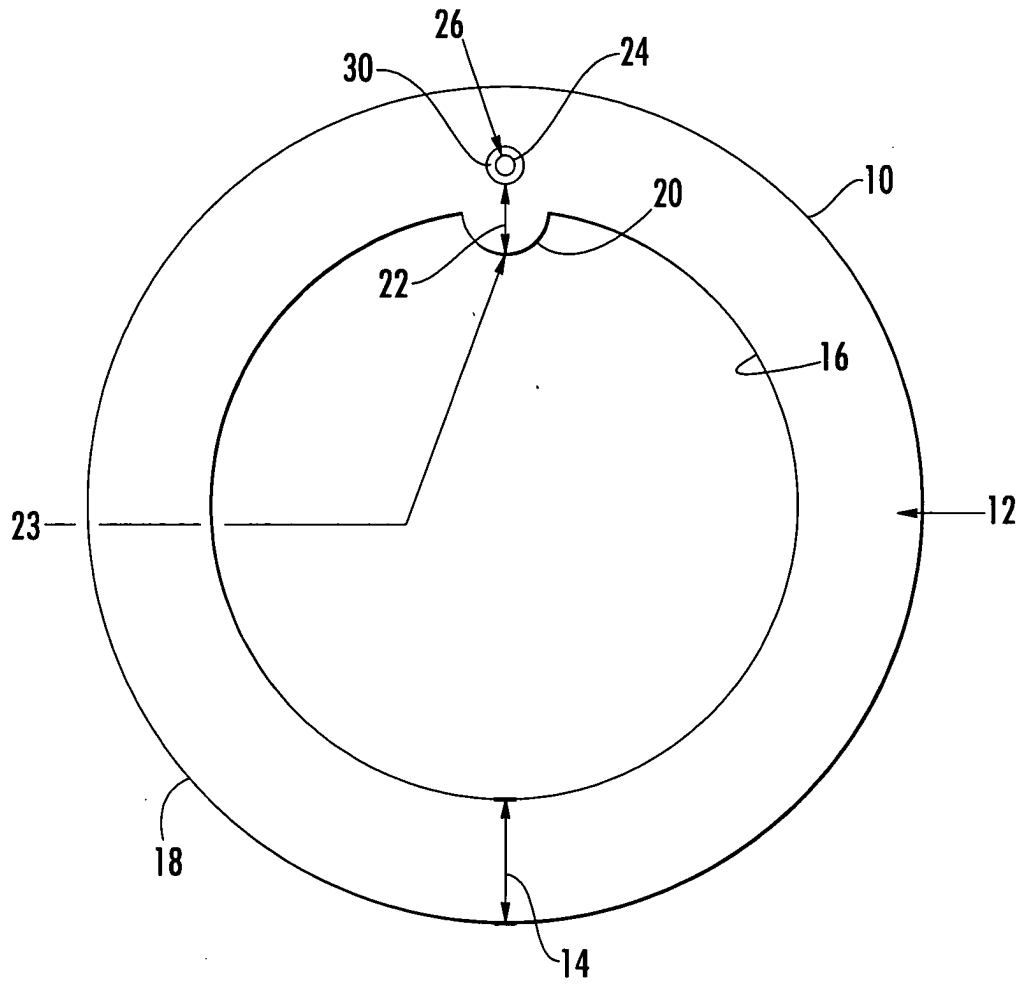


FIG. 1.

FOOTPRINT

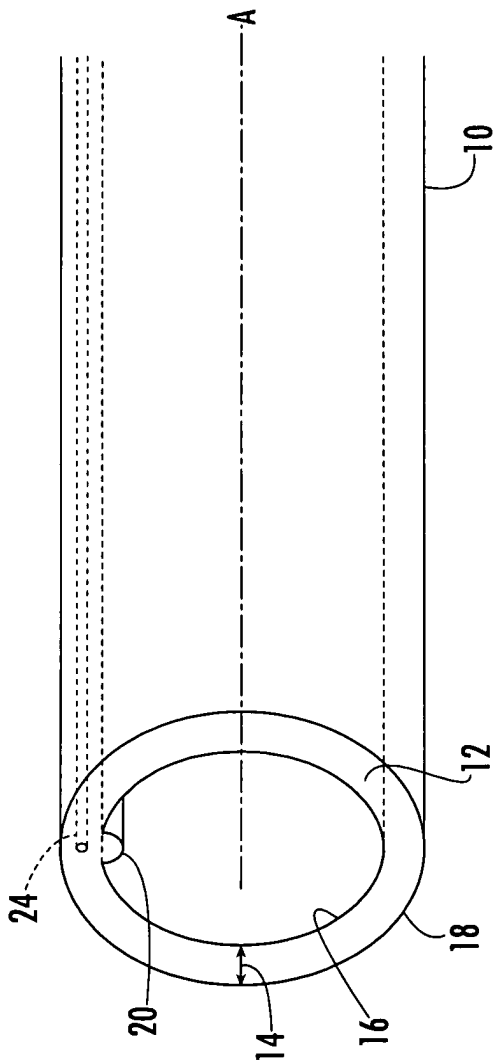


FIG. 2.

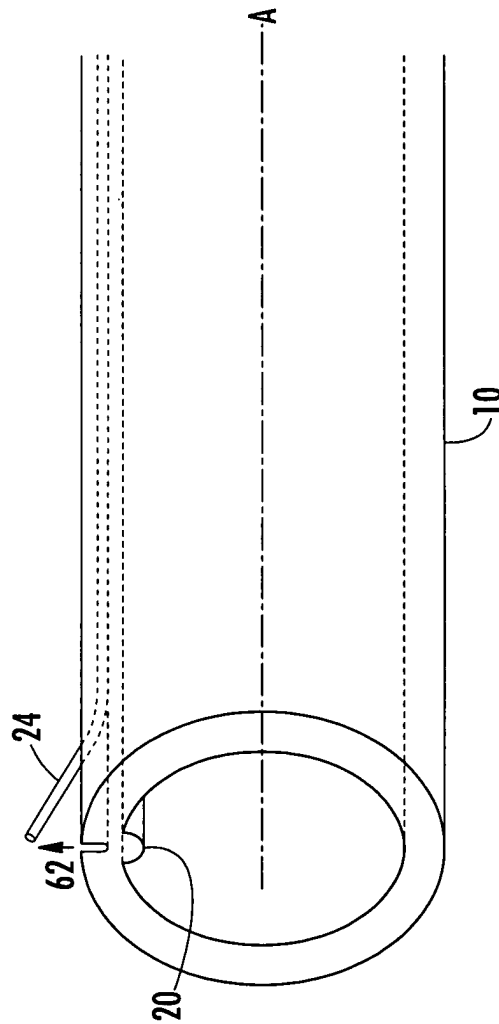


FIG. 5.

FOOT" 6826860

3/5

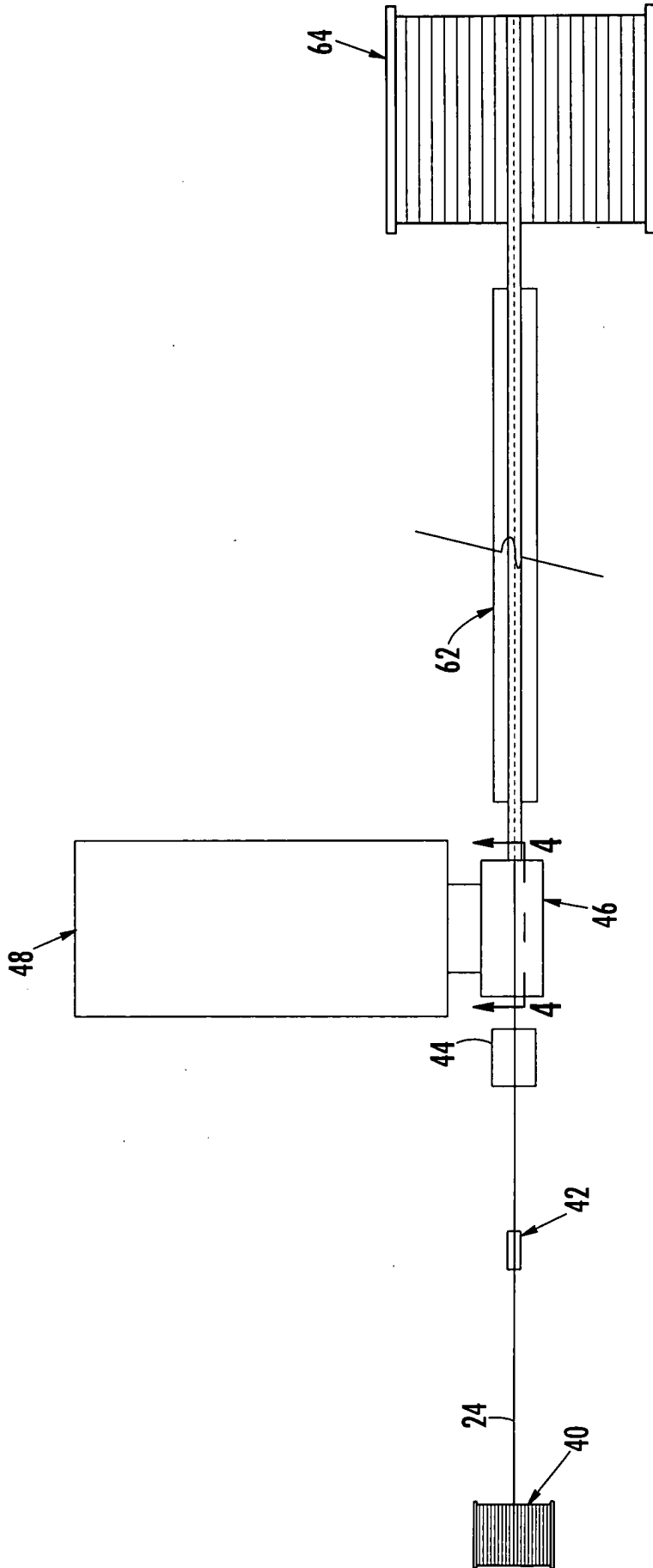


FIG. 3.

FOOT " 68268650

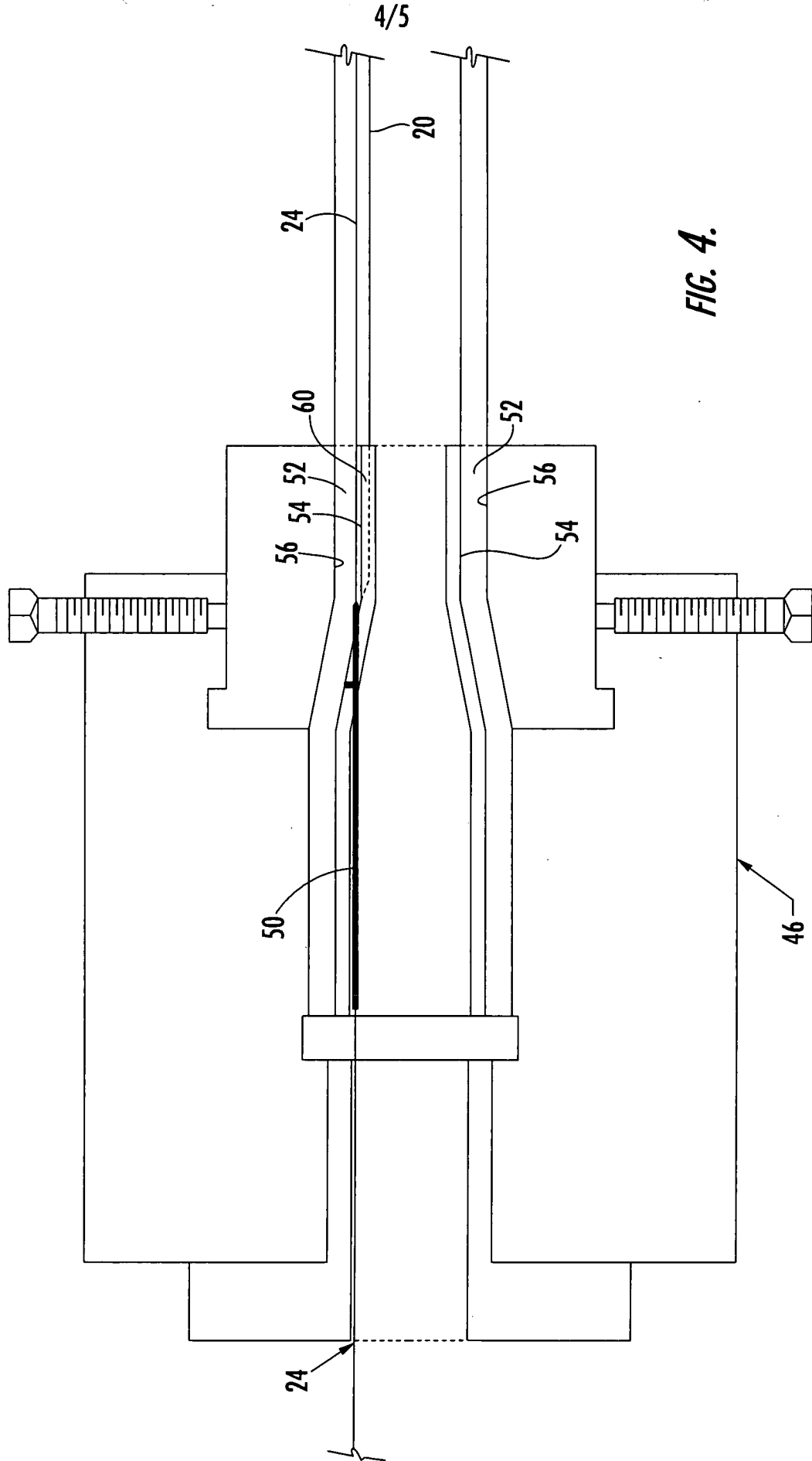


FIG. 4.

FOOTR 68268660

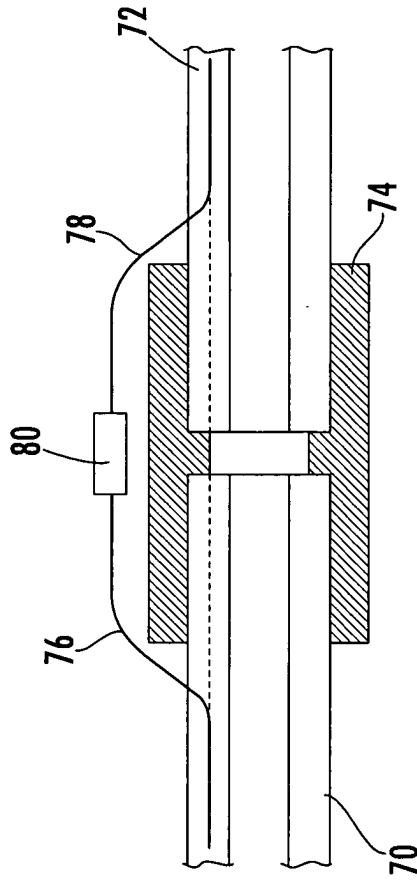


FIG. 6.